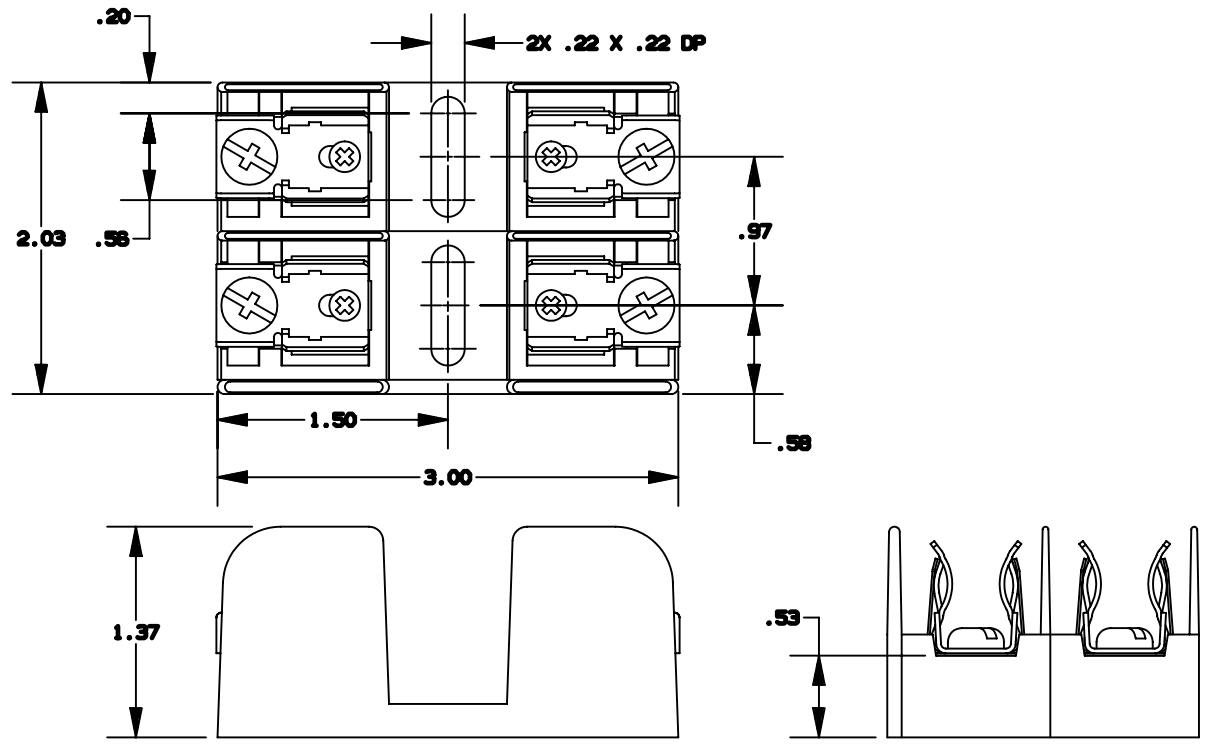


CONTROL No: \_\_\_\_\_

REV	DATE	ECO	DESCRIPTION	BY	CK	APP
-	6-25-97	N/A	INIT RELEASE	KH		N/A



**NOTE:**

1. TOLERANCES  $\pm$ .015 UNLESS OTHERWISE SPECIFIED.
2. MATERIAL COMPOSITION AND RATING THERMOPLASTIC-125°C RTI.

P/N	CONN TYPE	RMS SYM RATING	TORQUE (IN-LBS)	WIRE		U/L		CSA
				°C	TYPE	FILE NO.	GUIDE NO.	REPORT NO.
70317	SCREW	200K	20	60/75	CU ONLY	E52283	IZLT2	LR32169

**Ferraz Shawmut**  
 FERRAZ SHAWMUT INC.  
 374 MERRIMAC STREET  
 NEWBURYPORT, MA 01950

PRODUCT MANAGER

DESIGN ENGINEER

SIGN:  
DATE:

SIGN:  
DATE:

FUSE BLOCK, 750V-30A 2 POLE

OUTLINE DIMENSIONS  
NOT TO BE USED FOR PRODUCTION

700287